

ALUMINIUM CAM-LOCK COUPLERS (2201-2208)



Size : DN 15 to DN 100

Ends : Female, Male and hose coupling

Min Temperature : - 10°C

Max Temperature : + 60°C

Max Pressure : 16 Bars

Specifications : Aluminium

NBR gasket

According to MIL-C-27487

Materials : Aluminium

ALUMINIUM CAM-LOCK COUPLERS (2201-2208)
SPECIFICATIONS :

- Aluminium
- NBR gasket (only for couplers)
- According to MIL-C-27487

UTILISATION :

- For all common fluids
- Min and max Temperature Ts : - 10°C to + 60°C
- Max Pressure PN : See the table thereafter

DN	1/2"	3/4"	1"	1"1/4	1"1/2	2"	2"1/2	3"	4"
PN (Bar)	11	16	16	16	16	16	11	9	7

RANGE :

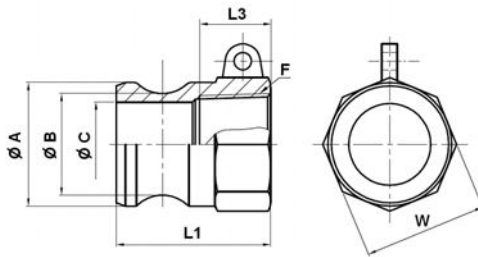
- Female adapter type A **Ref.2201** DN 1/2" to DN 4"
- Male coupler type B **Ref.2202** DN 1/2" to DN 4"
- Hose coupler type C **Ref.2203** DN 1/2" to DN 4"
- Female coupler type D **Ref.2204** DN 1/2" to DN 4"
- Hose adapter type E **Ref.2205** DN 1/2" to DN 4"
- Male adapter type F **Ref.2206** DN 1/2" to DN 4"
- Cap coupler type DC **Ref.2207** DN 1/2" to DN 4"
- Plug adapter type DP **Ref.2208** DN 1/2" to DN 4"
- **Other gasket on demand : EPDM or FKM**

MATERIALS :


Item	Designation	Materials
1	Body	Aluminium
2	Gasket	NBR
3	Cam	Brass
4	Ring	Brass

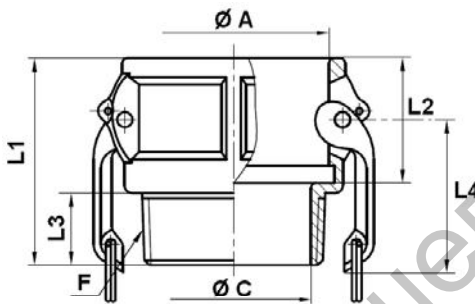
ALUMINIUM CAM-LOCK COUPLERS (2201-2208)
SIZE (in mm) :

- Female adapter type A Ref.2201



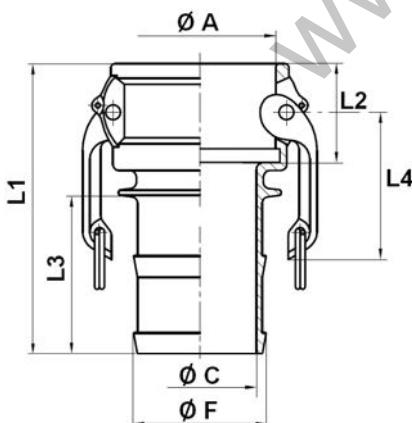
REF.	DN	1/2"	3/4"	1"	1"1/4	1"1/2	2"	2"1/2	3"	4"
2201	F	1/2"	3/4"	1"	1"1/4	1"1/2	2"	2"1/2	3"	4"
	Ø A	24	32.4	36.7	45.5	53.5	63	75.8	91.5	119.5
	Ø B	18.2	26.2	29	35.2	43.1	52.5	64.6	81	106
	Ø C	13	21.2	24	28.5	36.5	46	56.6	73	98
	L1	40	40	48	54.6	56	63	68.2	69	76.5
	L3	17	17	20	21	24	24	30	34	34
	W on flat	27	32	39	49	54.5	65	81	95	122
	Weight (Kg)	0.023	0.047	0.059	0.082	0.11	0.15	0.28	0.3	0.5

- Male coupler type B Ref.2202



REF.	DN	1/2"	3/4"	1"	1"1/4	1"1/2	2"	2"1/2	3"	4"
2202	F	1/2"	3/4"	1"	1"1/4	1"1/2	2"	2"1/2	3"	4"
	Ø A	24	32.5	37.3	46	54	63.8	76.5	92.2	120.2
	Ø C	12.8	19.5	25.5	32	40	50	62	76	99
	L1	46.8	47.5	56	63	66	76	83	87	94.5
	L2	27	29	36	42	42	47.5	50	51	52
	L3	16	21	22	24	21	23	30	30	40
	L4	30	30	38	59	59	59	59	70	70
	Weight (Kg)	0.08	0.11	0.155	0.275	0.297	0.375	0.464	0.635	1.059

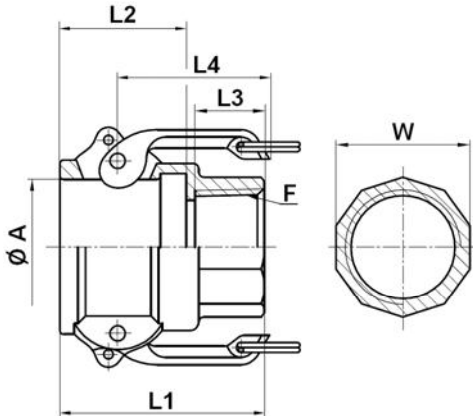
- Hose coupler type C Ref.2203



REF.	DN	1/2"	3/4"	1"	1"1/4	1"1/2	2"	2"1/2	3"	4"
2203	Ø F	15	21.4	27.3	34	40.4	53	66.7	79.3	104.7
	Ø A	24	32.5	37.3	46	54	63.8	76.5	92.2	120.2
	Ø C	8	13	19.5	25.5	31.7	44	57	67.5	94
	L1	64	92.5	106	112	118	135	147	161	164.5
	L2	27	29	36	42	42	47.5	50	51	52
	L3	30	53	60	58	75	85	79	104	112
	L4	30	30	38	59	59	59	59	70	70
	Weight (Kg)	0.09	0.115	0.179	0.296	0.356	0.497	0.522	0.924	1.22

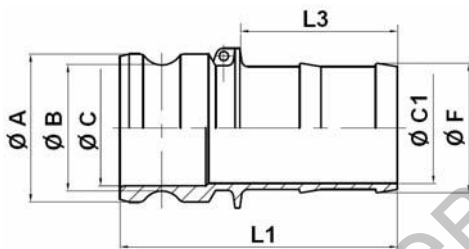
ALUMINIUM CAM-LOCK COUPLERS (2201-2208)
SIZE (in mm) :

- Female coupler type D Ref.2204



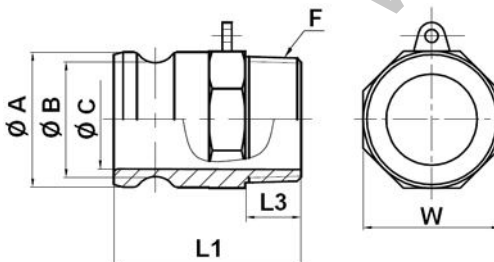
REF.	DN	1/2"	3/4"	1"	1"1/4	1"1/2	2"	2"1/2	3"	4"
2204	F	1/2"	3/4"	1"	1"1/4	1"1/2	2"	2"1/2	3"	4"
	Ø A	24	32.5	37.3	46	54	63.8	76.5	92.2	120.2
	L1	45.3	46	56	63	66	76	83	87	92.5
	L2	27	29	36	42	42	47.5	50	51	52
	L3	17	20	22	20	25	24	25	33	36
	L4	30	30	38	59	59	59	59	70	70
	W on flat	26.4	32	39	49	54.5	65	81	95	122
	Weight (Kg)	0.09	0.116	0.176	0.273	0.338	0.393	0.465	0.674	0.932

- Hose adapter type E Ref.2205



REF.	DN	1/2"	3/4"	1"	1"1/4	1"1/2	2"	2"1/2	3"	4"
2205	Ø F	15.1	21.5	27.3	34	40.4	53	66.7	79.3	104.7
	Ø A	24	32.4	36.7	45.5	53.5	63	75.8	91.5	119.5
	Ø B	18.2	26.2	29	35.2	43.1	52.5	64.6	81	106
	Ø C	13	21.2	24	28.5	36.5	46	56.6	73	98
	Ø C1	8	13	19.5	25.5	31.7	44	57	67.5	92
	L1	72	102	102	108	113	131	142	166	173.5
	L3	43	53	61	56	76	85	79	100	113
	Weight (Kg)	0.04	0.07	0.11	0.15	0.2	0.32	0.41	0.57	0.97

- Male adapter type F Ref.2206

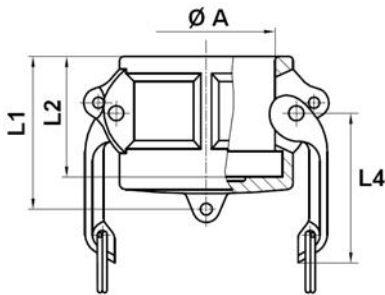


REF.	DN	1/2"	3/4"	1"	1"1/4	1"1/2	2"	2"1/2	3"	4"
2206	F	1/2"	3/4"	1"	1"1/4	1"1/2	2"	2"1/2	3"	4"
	Ø A	24	32.4	36.7	45.5	53.5	63	75.8	91.5	119.5
	Ø B	18.2	26.2	29	35.2	43.1	52.5	64.6	81	106
	Ø C	13	21.2	24	28.5	36.5	46	56.6	73	98
	L1	55	55	66	73.6	76	86.5	96.5	100	112
	L3	15	20	22	24	22	24	28	31	39
	W on flat	27	32	39	46.5	54.5	64	77	93	120
	Weight (Kg)	0.028	0.066	0.1	0.15	0.18	0.28	0.43	0.57	1.05

ALUMINIUM CAM-LOCK COUPLERS (2201-2208)

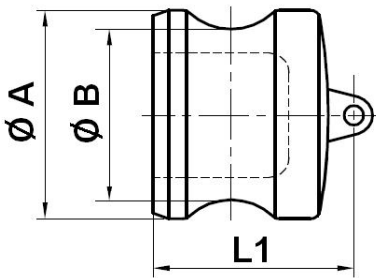
SIZE (in mm) :

- Cap coupler type DC Ref.2207



REF.	DN	1/2"	3/4"	1"	1"1/4	1"1/2	2"	2"1/2	3"	4"
2207	Ø A	24	32.5	37.3	46	54	63.8	76.5	92.2	120.2
	L1	34.8	36	45	51	54.2	63	65	64	70
	L2	27	29	36	42	42	47.5	50	51	52
	L4	30	30	38	59	59	59	59	70	70
	Weight (Kg)	0.05	0.1	0.145	0.29	0.30	0.36	0.41	0.65	0.9

- Plug adapter type DP Ref.2208



REF.	DN	1/2"	3/4"	1"	1"1/4	1"1/2	2"	2"1/2	3"	4"
2208	Ø A	24	32.4	36.7	45.5	53.5	63	75.8	91.5	119.5
	Ø B	18.2	26.2	29	35.2	43.1	52.5	64.6	81	106
	L1	31	32	40	45	45	52	55	58	61
	Weight (Kg)	0.03	0.04	0.05	0.07	0.12	0.18	0.24	0.29	0.52

STANDARDS :

- Fabrication according to ISO 9001 : 2008
- Directive 97/23/CE : Products excluded from directive (Article 1, § 3.2)
- Designing according to MIL-C-27487 and A-A 59326
- Threaded male and female BSP cylindrical according to ISO 228-1

ADVICE : Our opinion and our advice are not guaranteed and SFERACO shall not be liable for the consequences of damages. The customer must check the right choice of the products with the real service conditions.